



ESTIMATE WORKSHEET

Name: _____ Phone: _____

Address: _____

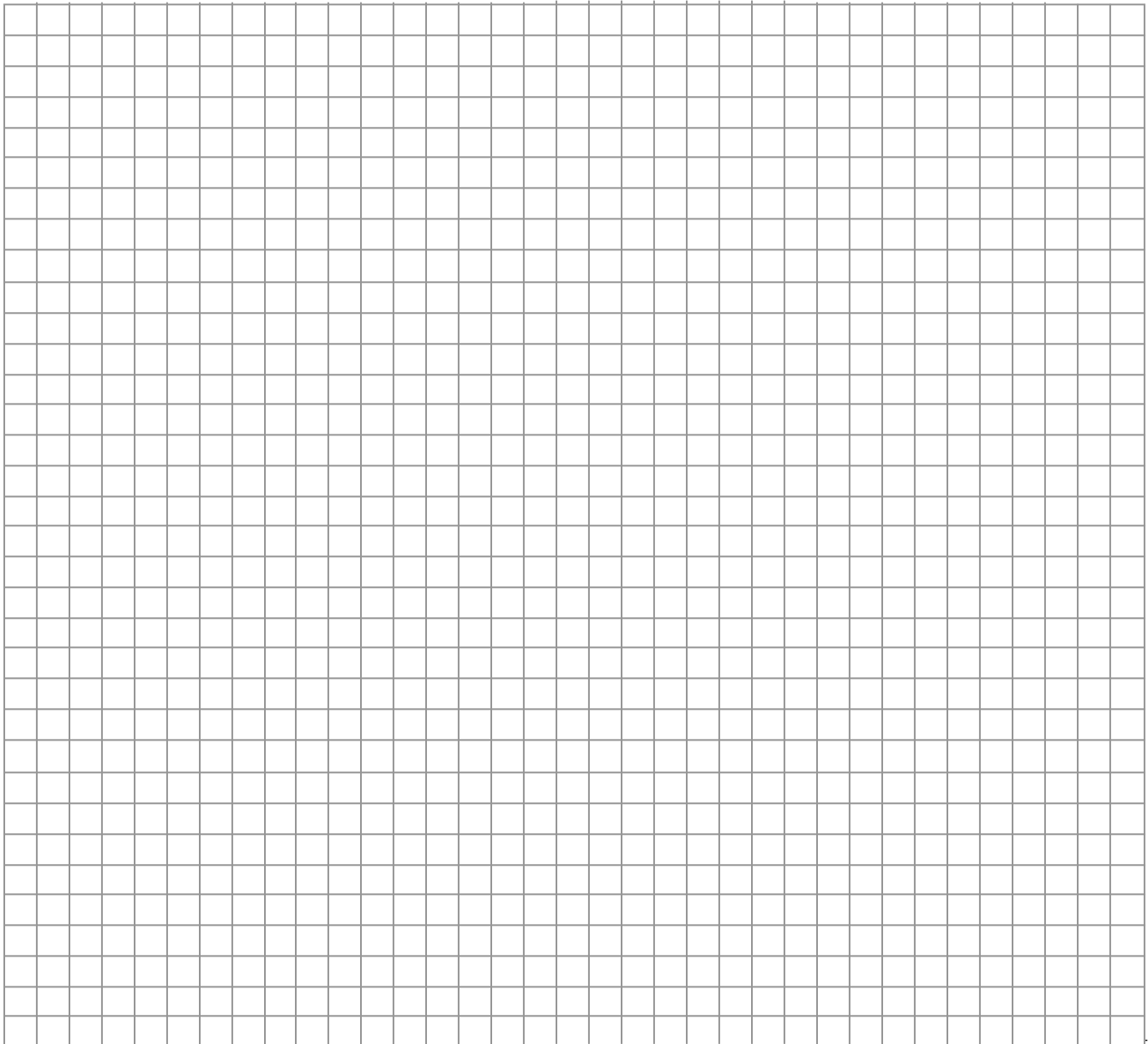
SURFACE ARTS

The Countertop Pros

Items needed: Pen or pencil and measuring tape.

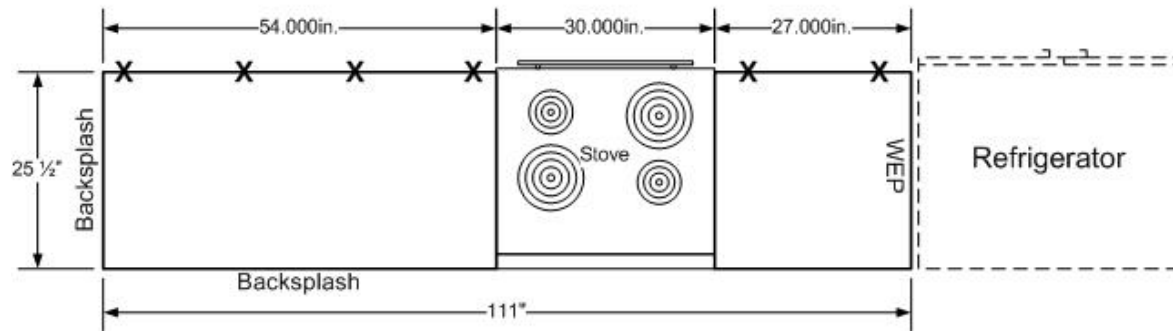
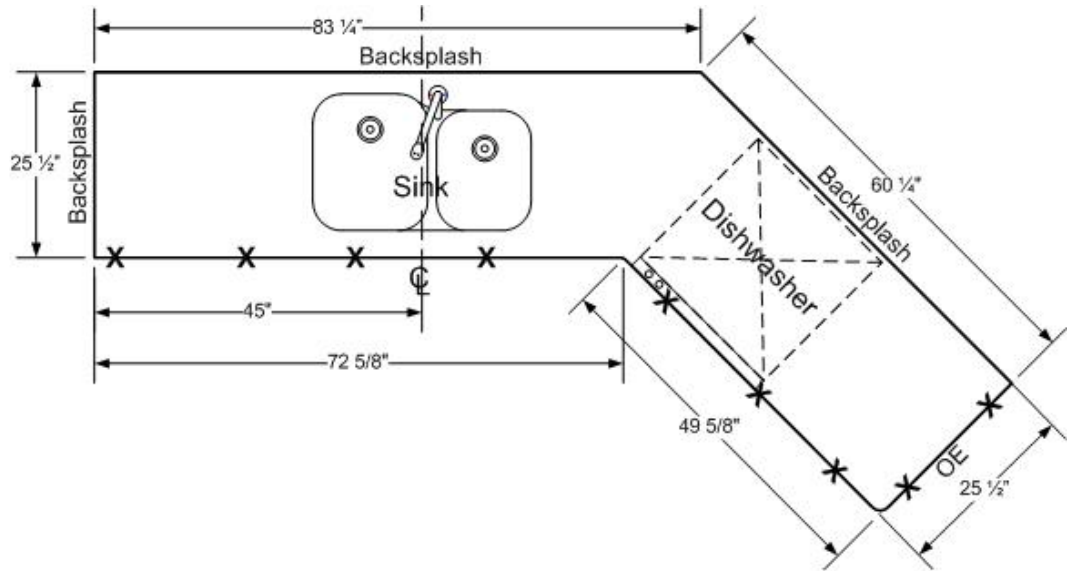
- Print this form.
- Draw rough sketch of your countertops on the grid below.
- Measure the dimensions of the countertop(s) in inches and mark them on the drawing
- Indicate on the drawing the location of your sink, dishwasher, stove and refrigerator.
- Please mark the areas where you would like backsplashes by writing "BS" along the back edge of the top where the backsplash is to be located and indicate the backsplash height if greater than 4".
- Please indicate all finished edges with multiple X's along those edges. "WEP" means wood end panel.
- **Then Email: freequote@solidsurfacearts.com or Fax: (828) 862-8552.**

Please sketch your countertops below



Comments:

Example Sketch:



For questions or assistance please call (828) 862-8878